

T 8861 WP

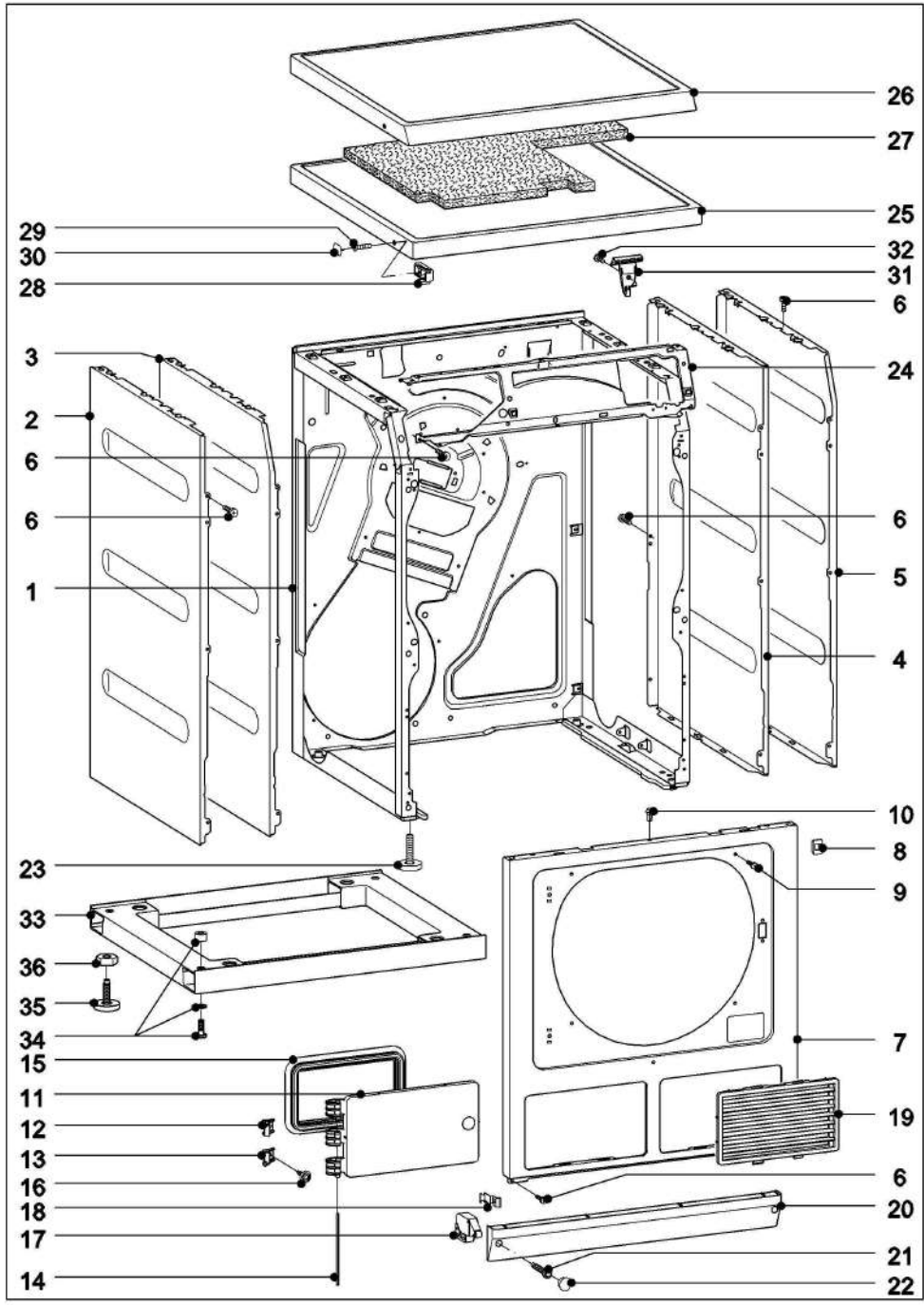
Miele

Tumble dryers

T 8861 WP

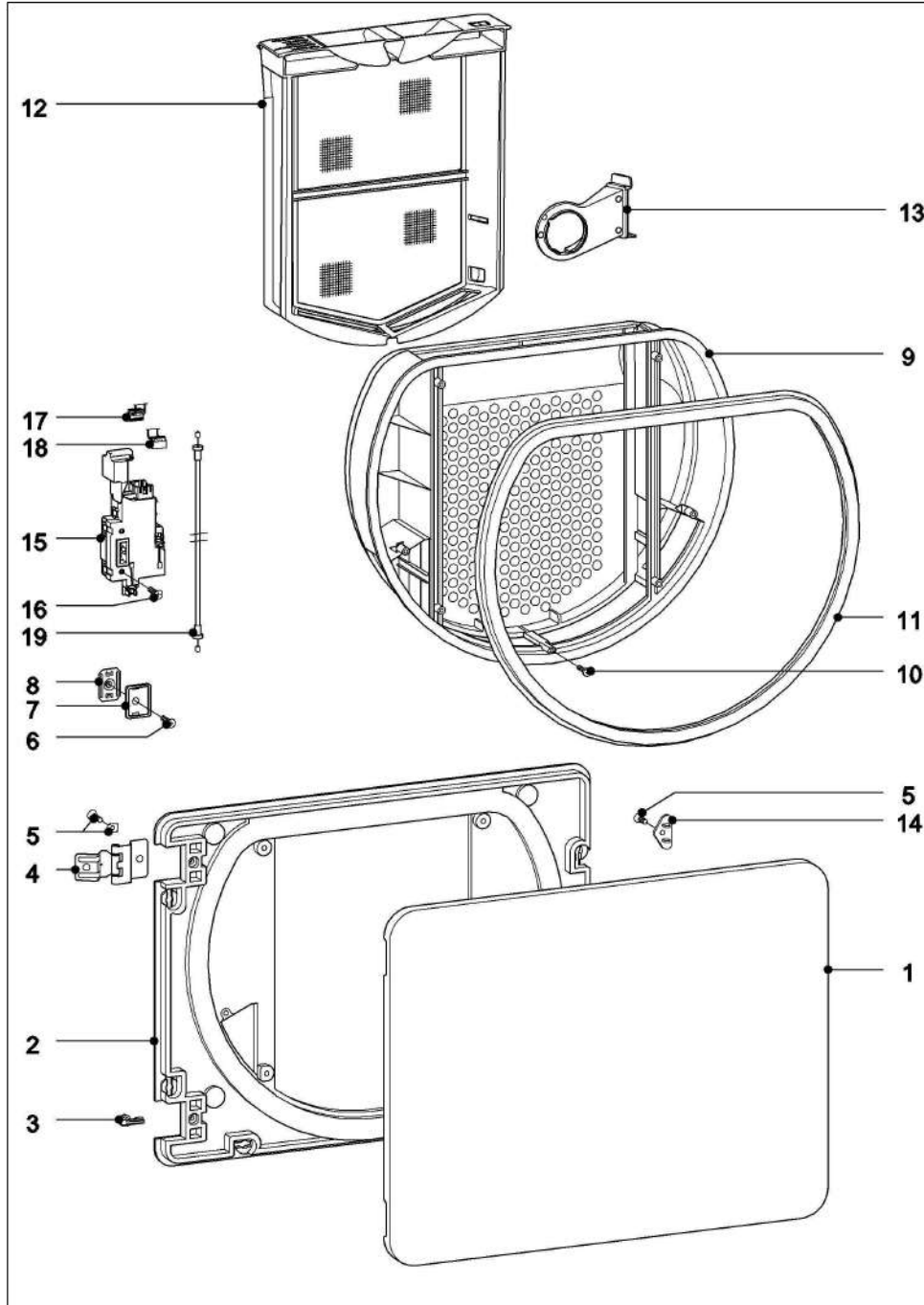
06.04.2026

010 Casing Front panel

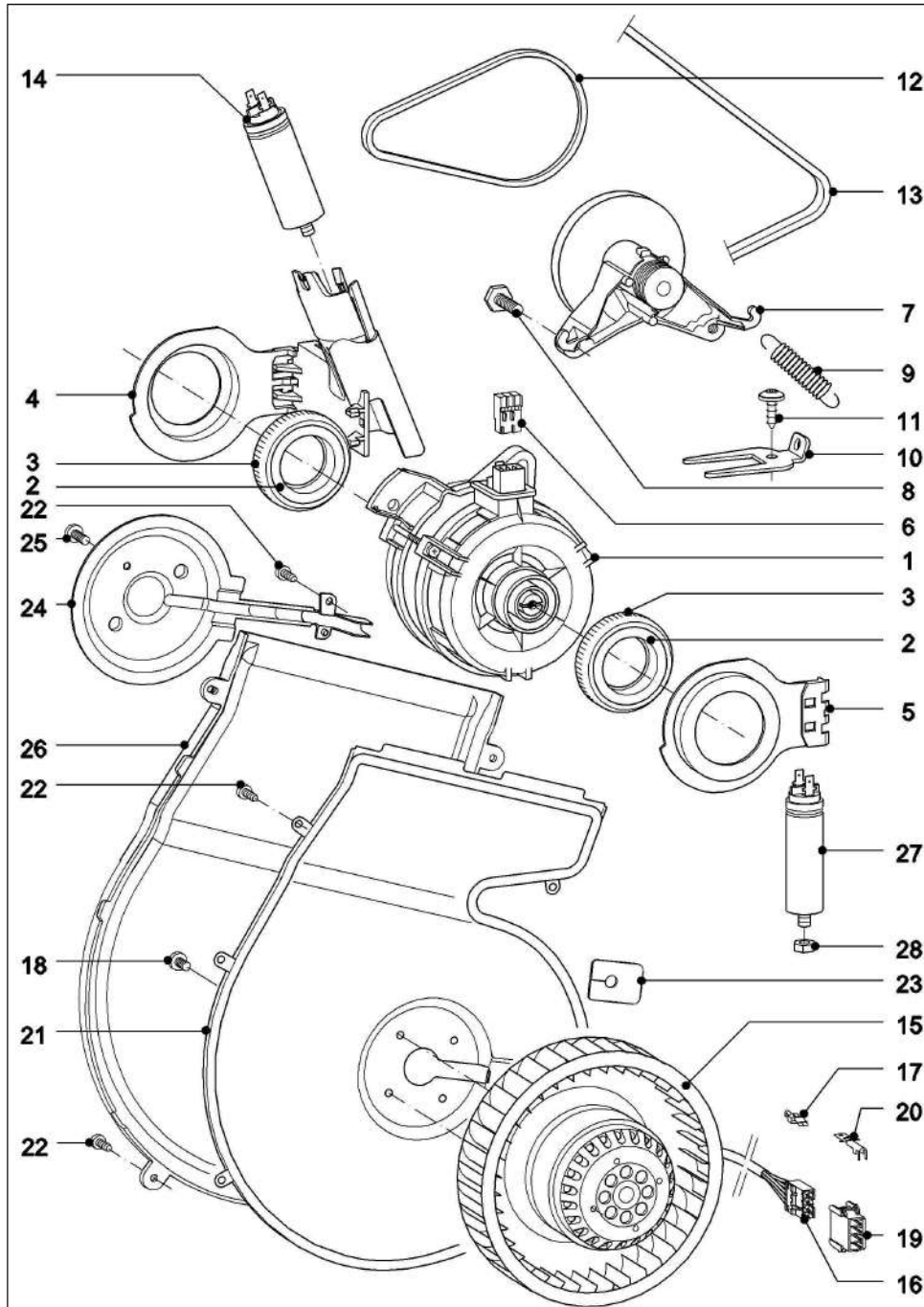


146089

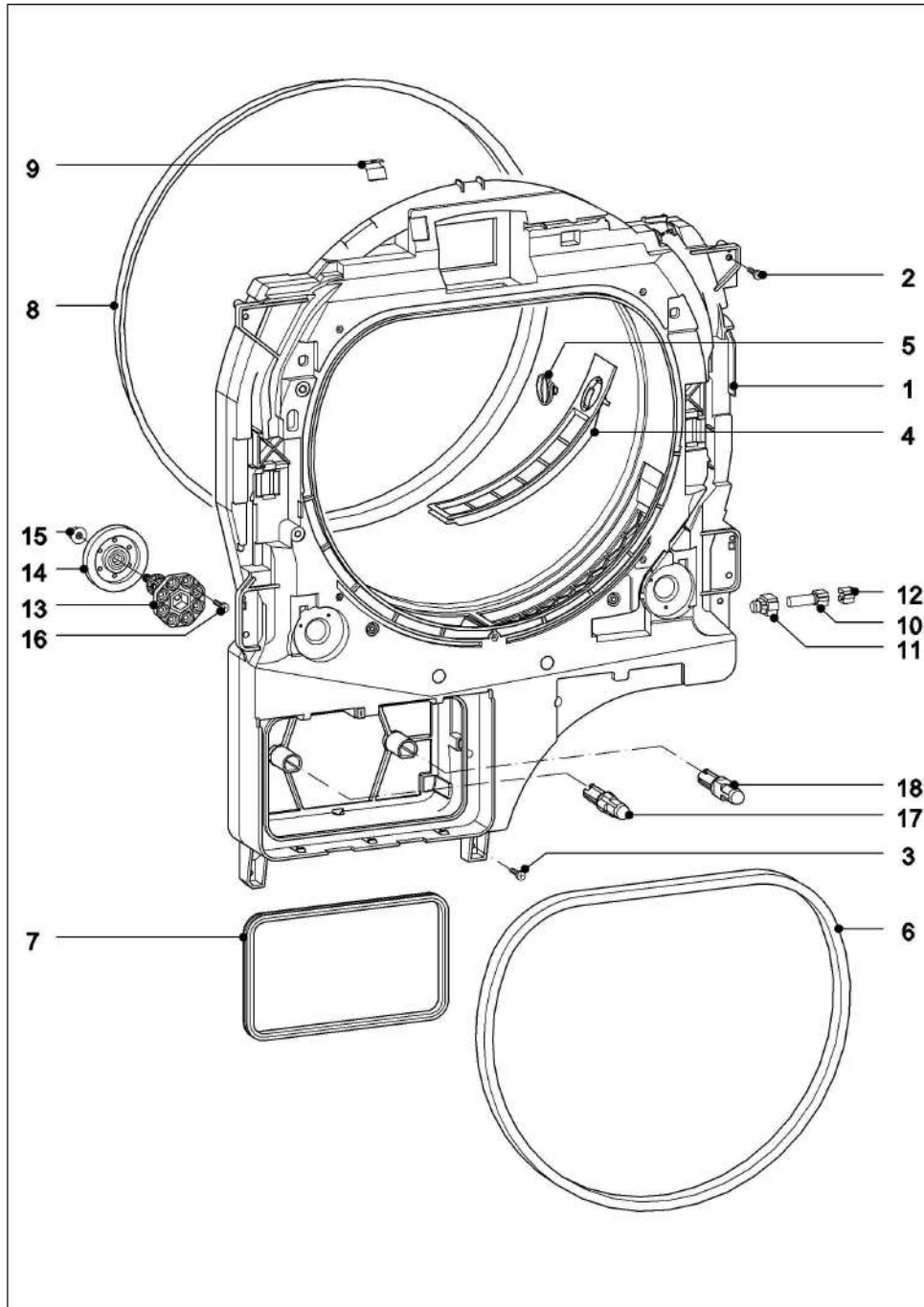
020 Door Lock



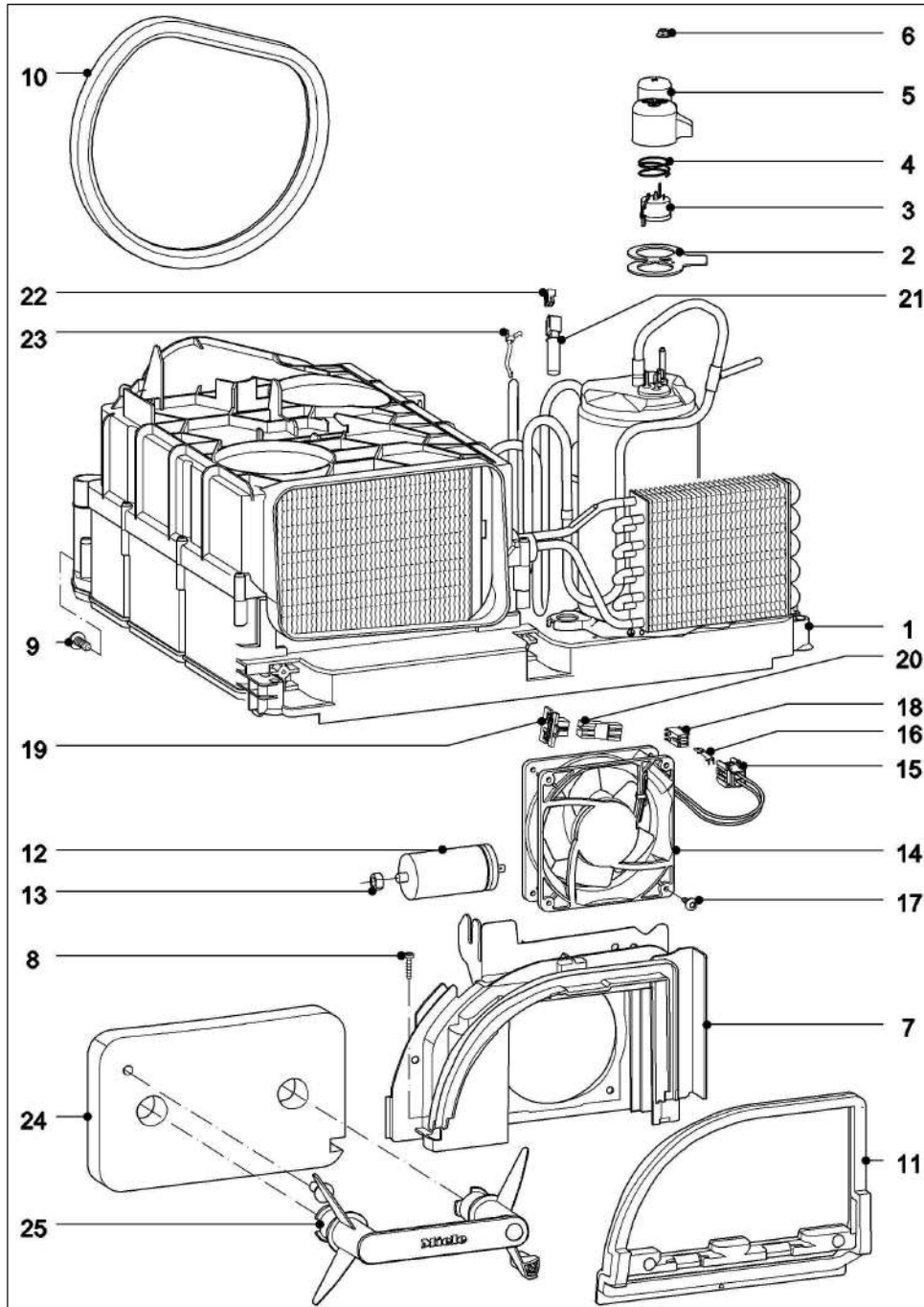
040 Drive Fan



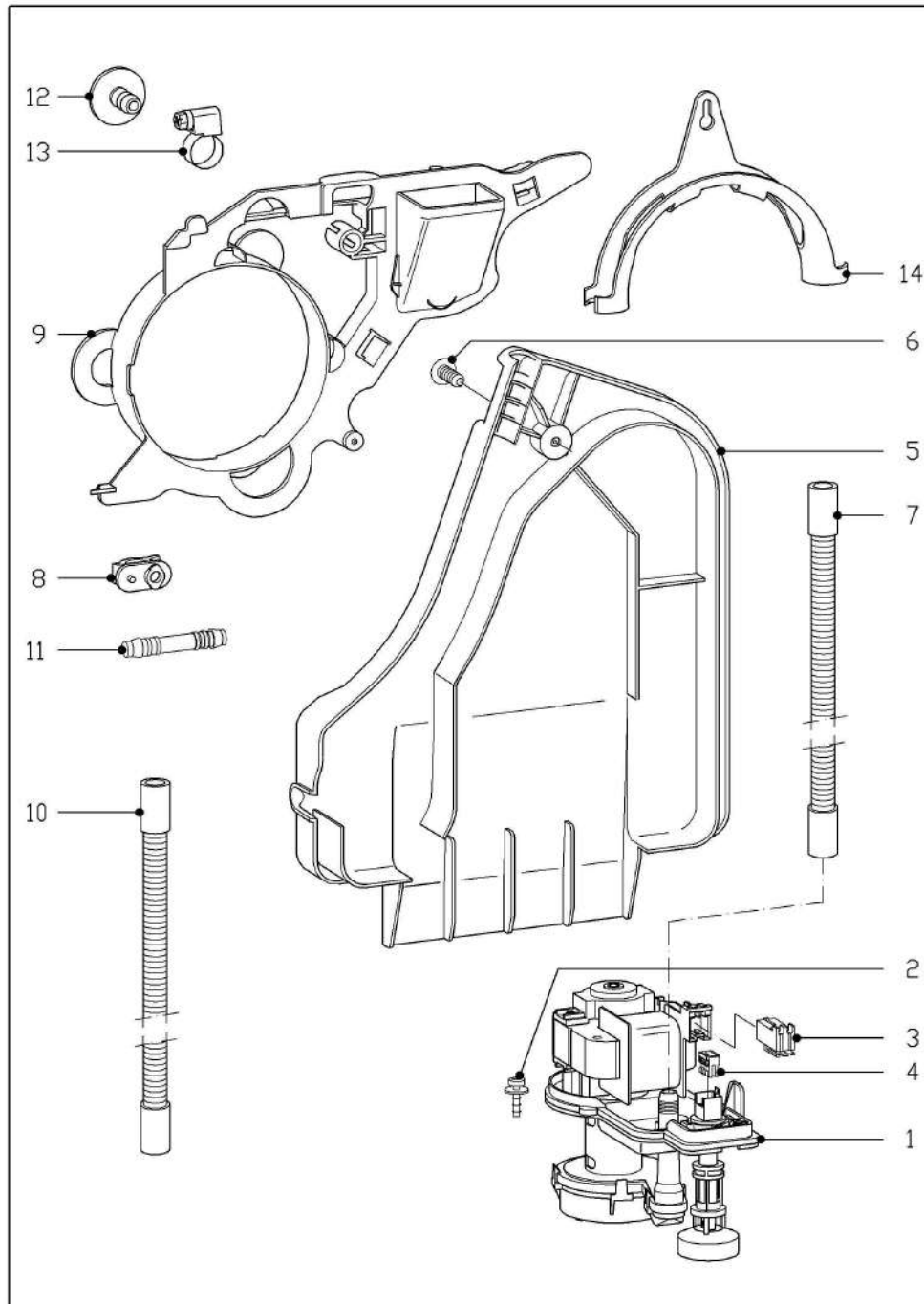
050 Fill ring Bearing front



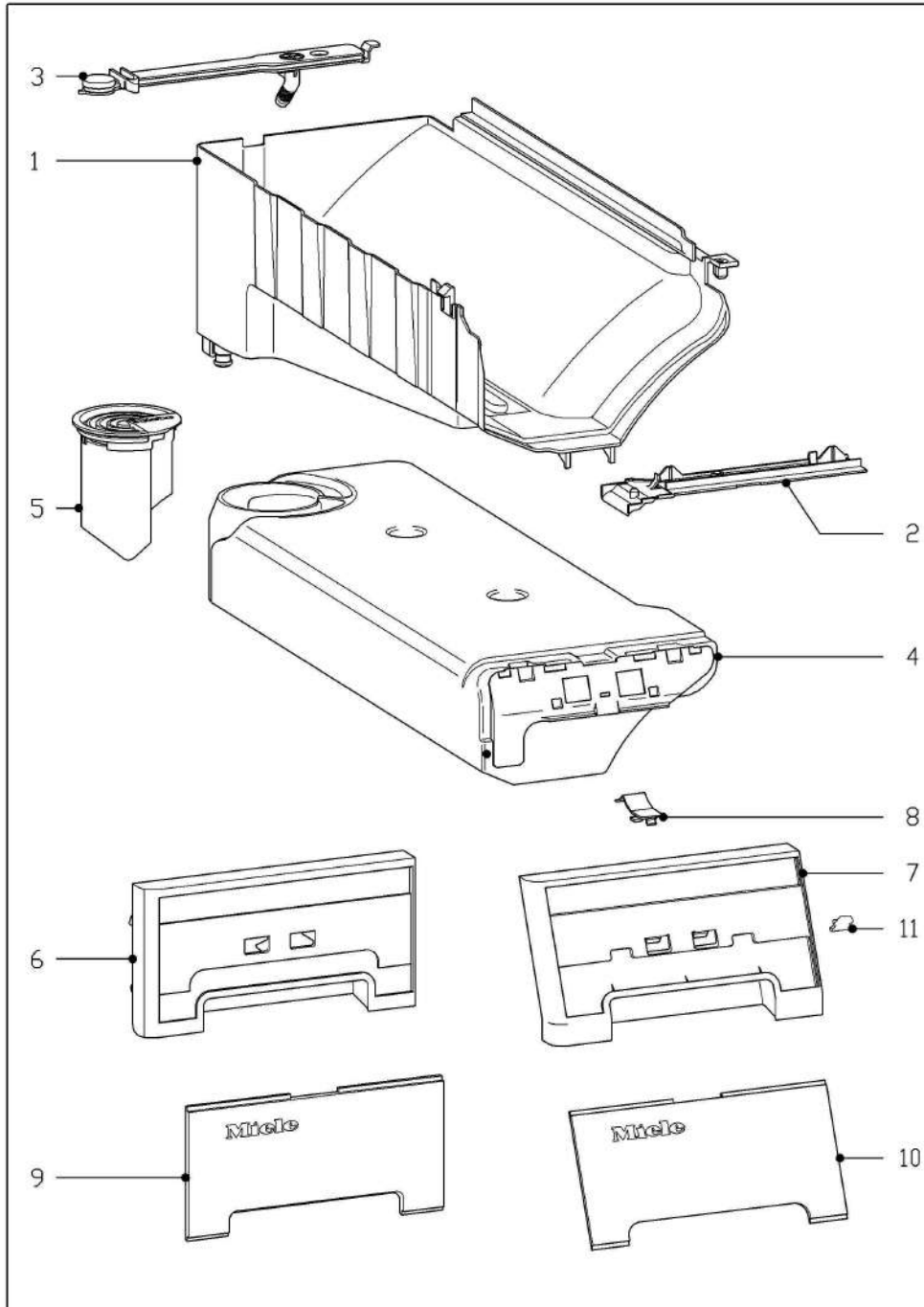
060 Condenser module



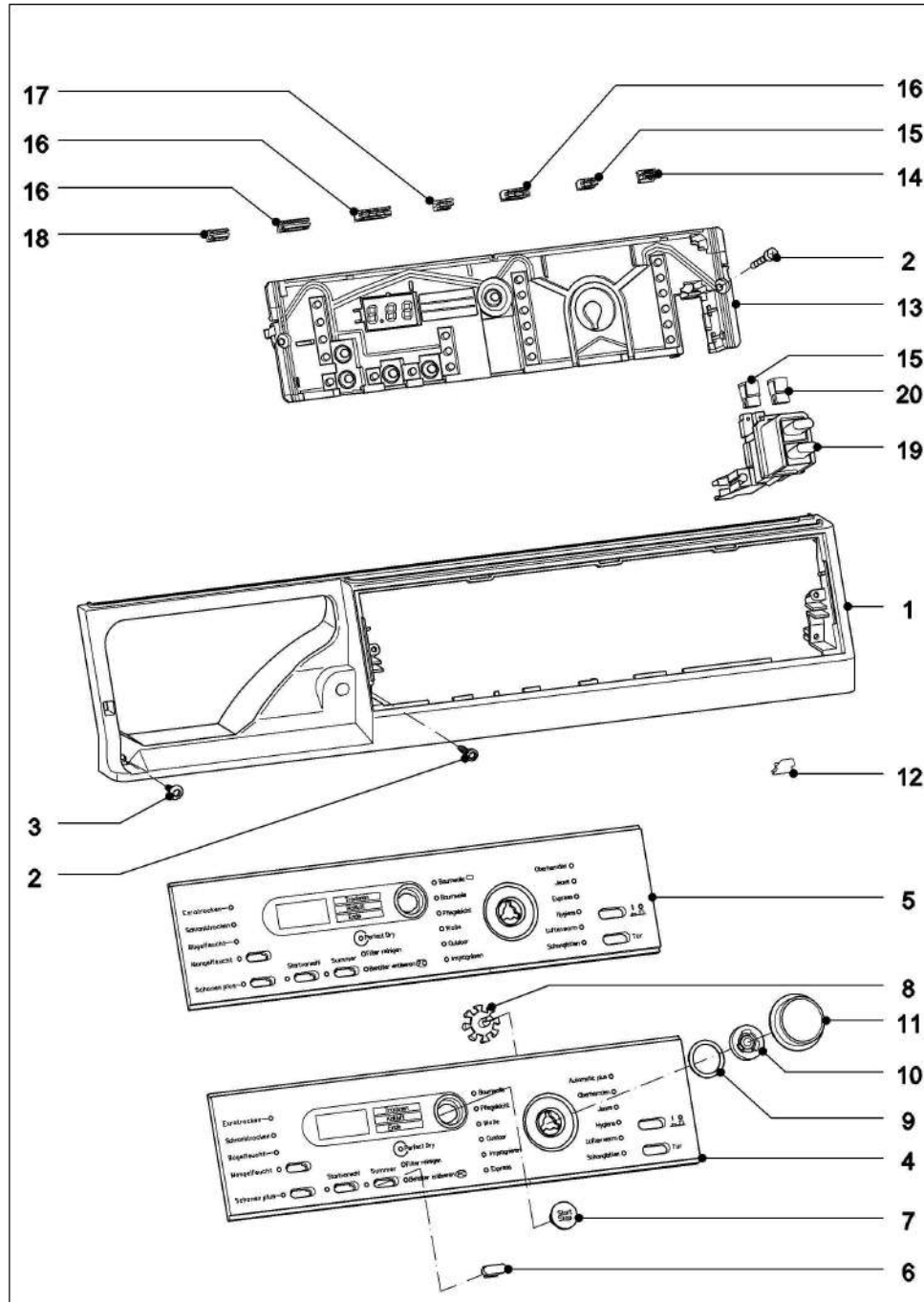
070 Condensation pump



080 Water reservoir



091 Fascia panel Power-/Control unit



100 Electrical components

